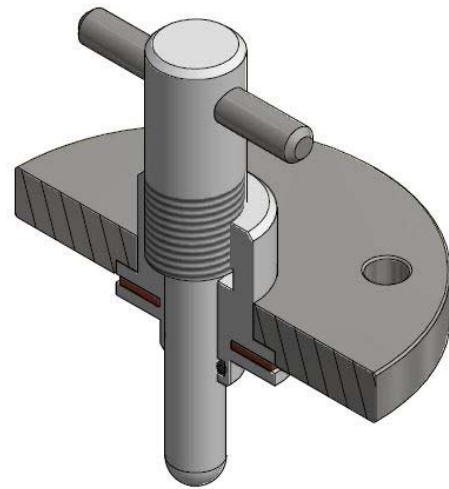


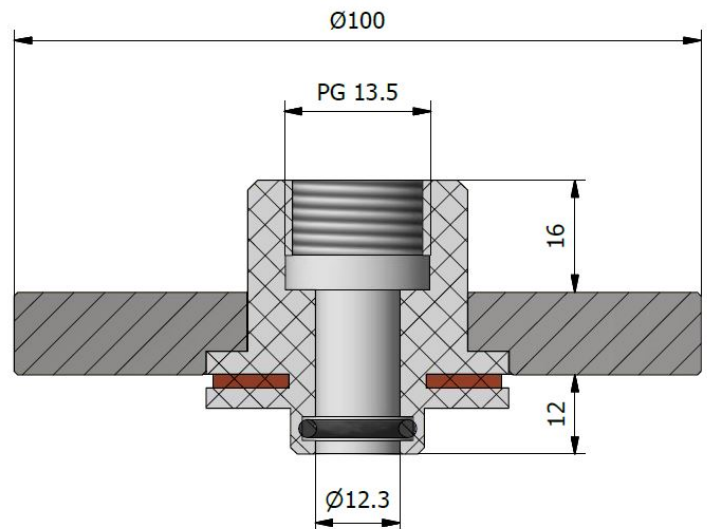
PH METERING UNIT

PH MESSEINHEIT

UNITÉ DE MESURE PH



Material | Werkstoff | Matière
PFA / PFA conductive



Technical information

Depends on model | je nach Modell | Selon modèle

OPTIONS

Electrode type Elektrode Type Type électrode (Expl Bspl: http://www.mt.com/int/en/home/products/Process-Analytics/pH-probe.html)	Standard
Retractable electrode type Wechselelektrode Typ Type électrode rétractable (Expl Bspl: http://www.mt.com/int/en/home/products/Process-Analytics/sensor-cleaning-housing/retractable-housing.html)	Intrac