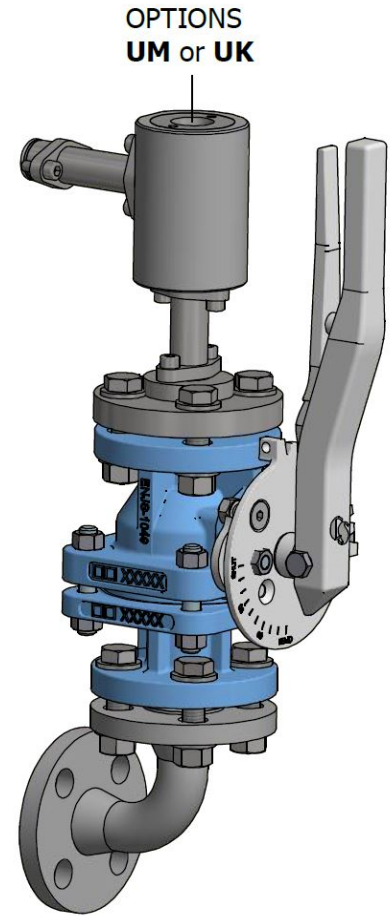


**VENTURI UNIT**

**VENTURI EINHEIT**

**UNITÉ VENTURI**

**Material | Werkstoff | Matière**  
1.4404/PTFE/TFM®1600



**Technical information**

<b>PN</b>	<b>bar (PSI)</b>	10 (150)	
<b>TS</b>	<b>°C (°F)</b>	max. 180 (360)	
<b>Air or N2 supply</b>	<b>bar (PSI)</b>	max. 5 (75)	G3/8" connection
<b>Suction height</b>	<b>mm (water column)</b>	max. 6000 (235")	

Efficiency venturi - air supply vs. vacuum (water column)  
Pumpenwirkungsgrad | Rendement du système venturi

